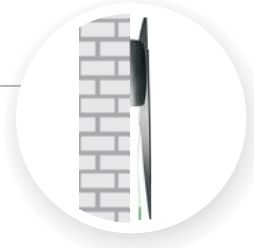




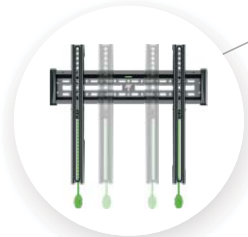
Universal Design

Screen adaptors can be easily hooked onto wall plate for a quick installation.



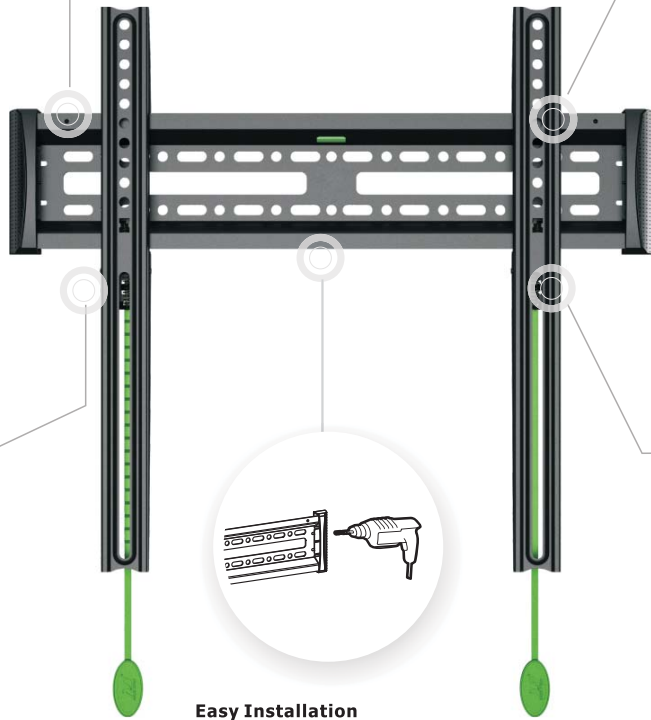
Low Profile Design

This flat design to display your TV as if it is an art, distance from wall 1.2"(29mm).



Horizontal Position Adjustment

Adaptors can be slid easily together with TV within the wall plate to set your position best viewing .



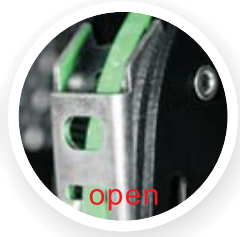
Easy Installation

Easy and quick installation and disassemble. Save two-thirds of installing time than any other universal wall mounts.



Auto lock and unlock design (Engage and disengage)

Simply holds adaptors and hook onto wall plate and click on. Adaptors will engage and lock onto wall plate automatically. To carry down TV, simply pull adaptors' straps downward to disengage clips and holds it up that's it. No hand tools required, safe, easy and convenient.



SPECIFICATIONS

Model	TV Size	Max Load	VESA(max)	Tilt Angle	Profile From Wall	Material	Mounting Width
NBC1-F	17"-37"	40lbs(18.2kg)	75*75-200*200mm	0°	1.2"(29mm)	SPCC	9"(230mm)
NBC2-F	32"-55"	125lbs(56.8kg)	100*100-400*400mm	0°	1.2"(29mm)	SPCC	16"(410mm)
NBC3-F	40"-65"	150lbs(68.2kg)	100*100-600*400mm	0°	1.2"(29mm)	SPCC	24"(610mm)

LINE DIMENSIONS

