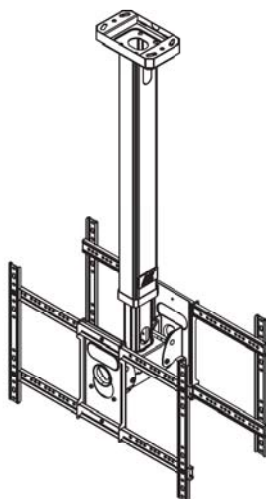


## INSTALLATION INSTRUCTION



### **T5520**

#### **TV Ceiling Mount**

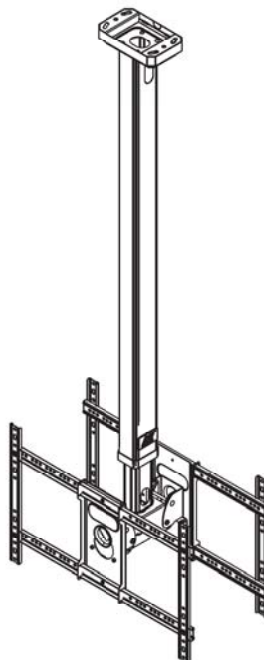
For TV :32"-55"

Max capacity:125 lbs/56.8kg

Height adjustment rang from:

45.3"to78.7"(1150-2000mm)

VESA:200x100-600x400mm



### **T6030**

#### **TV Ceiling Mount**

For TV :32"-60"

Max capacity:125 lbs/56.8kg

Height adjustment rang from:

65"to118"(1650-3000mm)

VESA:200x100-600x400mm

**Kunshan Hongjie Electronics Co., Ltd**

Add:58, South of Xinxing Road, Economic Development Zone.

Kunshan City, Jiangsu Province, China

TEL:86-512-57971777

<http://www.nbavmount.com>

FAX:86-512-57970776

E-mail: [info@nbavmount.com](mailto:info@nbavmount.com)

We reserve the right to modify or alter instructions. No modification or alteration without formal notice.

## Table of Contents









Table of Contents and Warning .....	2/8
Parts list .....	3/8
Assembly and Installation	
1.Ceiling plate mounting hole identification .....	4/8
2.Main post to ceiling plate installation & extension .....	4/8
3.Main post assembly to ceiling installation .....	5/8
4.TV installation .....	6/8
5.Cables & wires installing .....	7/8
6.Horizontal swivel & tilting adjustment .....	7/8
T5520 Dimensions .....	8/8
T6030 Dimensions .....	8/8

### WARNING!

Severe personal injury and property damage can result from improper installation or assembly. Read the following warning carefully before beginning.

- If you do not understand the instructions or have any concerns or questions, please contact a qualified local installer.
  - Do not install or assemble if the product or hardware is damaged or missing, if you require replacement parts, please contact your local distributor for assistance.
  - Do not use this product for anything other than the original design.
  - This product contains moving parts, please use with caution.
  - The manufacturer disclaims any liability for the modifications, improper installation, or installation over the specified weight range. The manufacturer will not be liable for any damages arising out of the use of, or inability to use, the product.
- All images are for reference, to prevail in product.

### Manual

							
Tightening Direction	Loosening Direction	Phillips Screwdriver	Metre Rule	Adjustment	By Hand	Hex Wrench	+ Tightening - Loosening

## Parts list

1X



T6030

1X



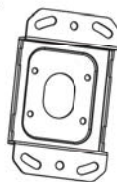
T5520

or

1X



1X



2X



1X



1X



A -  (M5x25)-8pcs

B -  (M6x25)-8pcs

C -  (M8x25)-8pcs

D -  (M6x20)-4pcs

E -  ( $\Phi 13 \times \Phi 6.2 \times 1.5$ )-8pcs

F -  (M6x8)-4pcs

G -  (M6x8)-4pcs

H -  (M6x20)-8pcs

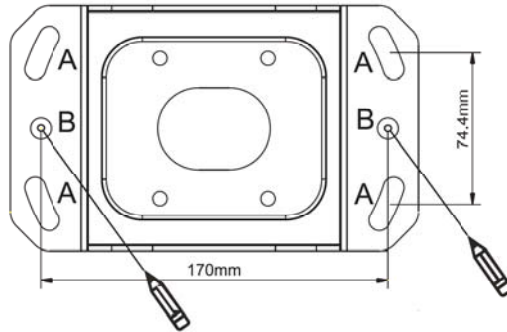
I -  M6-8pcs

J -  ( $\Phi 15 \times \Phi 8.2 \times 10$ )-8pcs

K -  10mm-1pcs

L -  M4-1pcs

## 1. Ceiling plate mounting hole identification

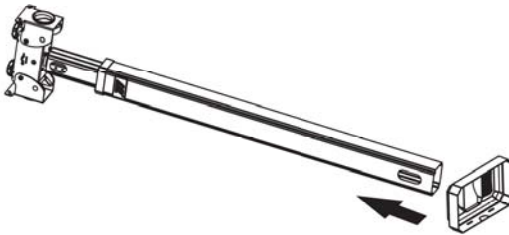


A For concrete mounting

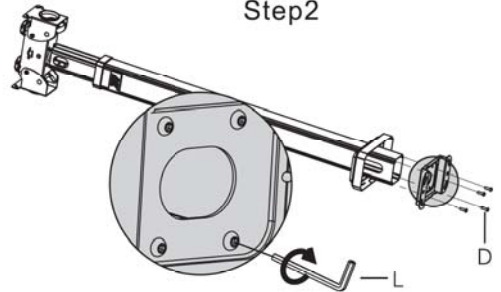
B For wood ceiling stud mounting

## 2. Main post to extension

Step1



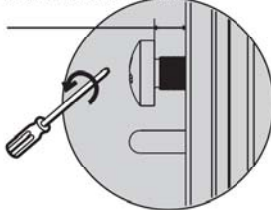
Step2



### Telescopic length adjustment.

Step3

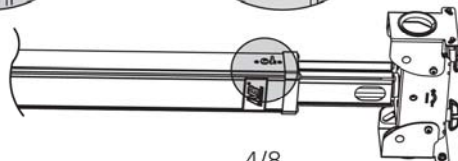
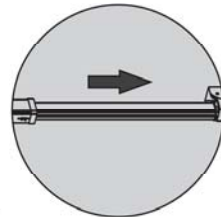
leave about 10mm



Step4



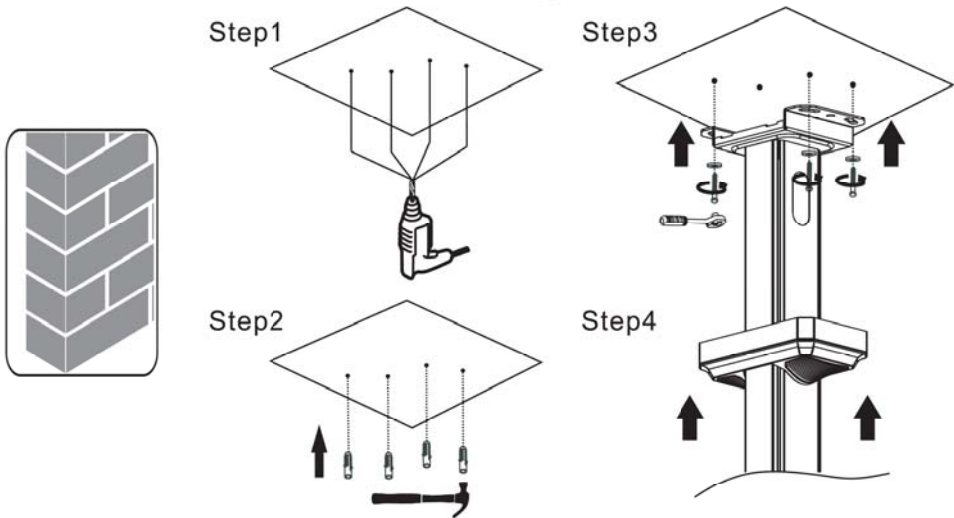
Step5



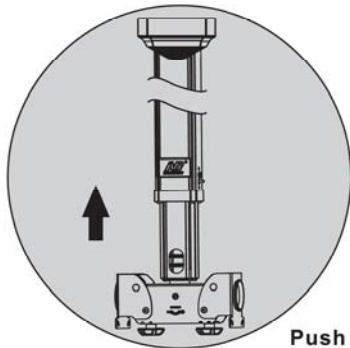
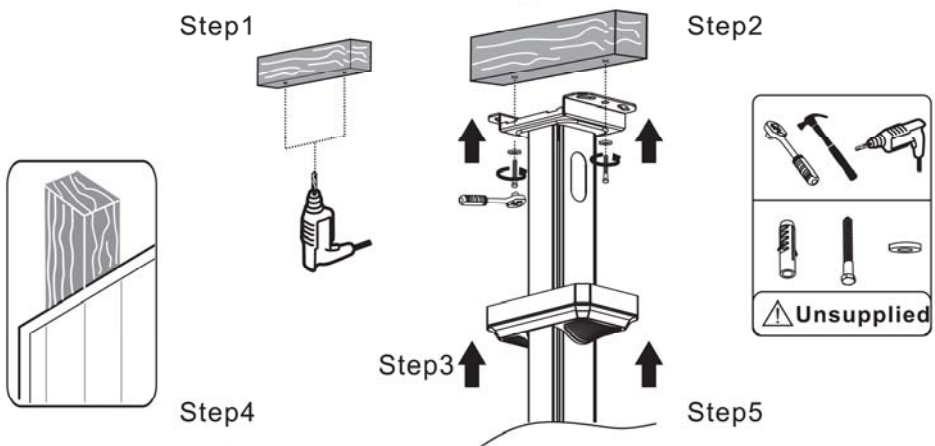
4/8

### 3.Main post assembly to ceiling installation

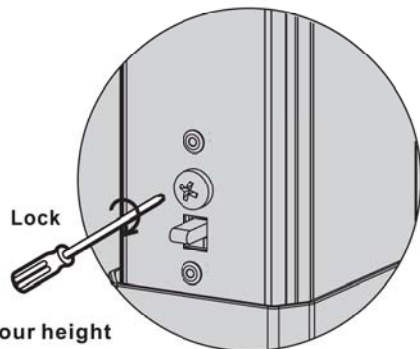
#### Concrete Ceiling



#### Wood ceiling

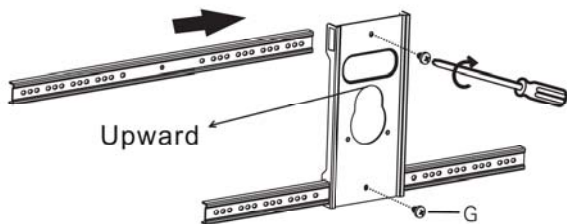


Push and set your height

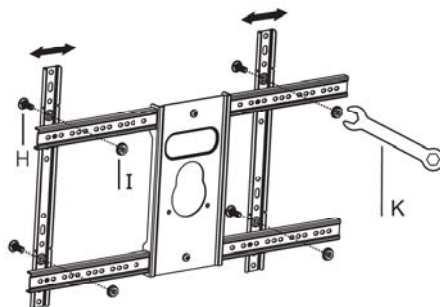


## 4.TV installation

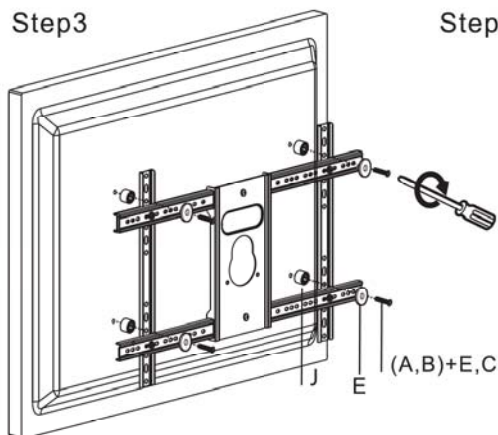
Step1



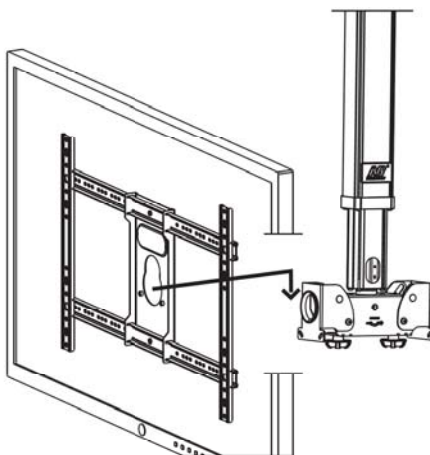
Step2



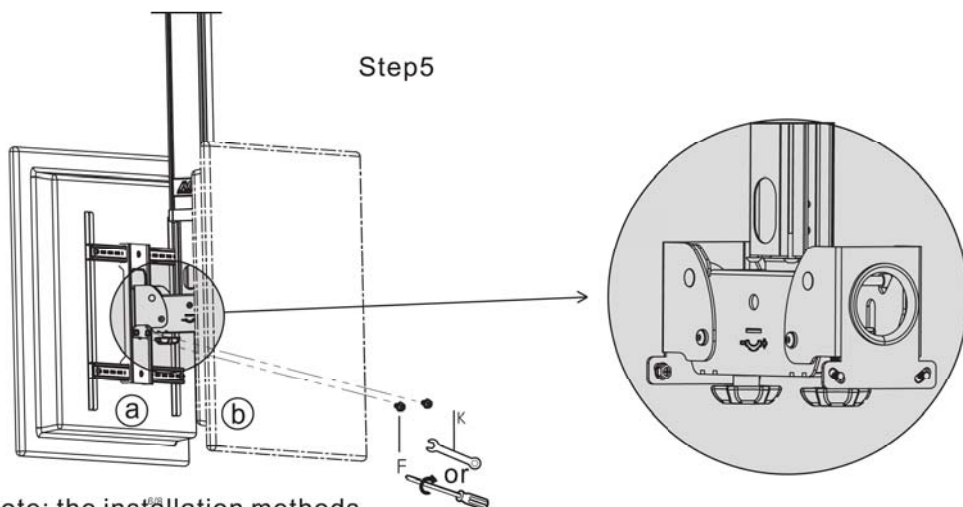
Step3



Step4

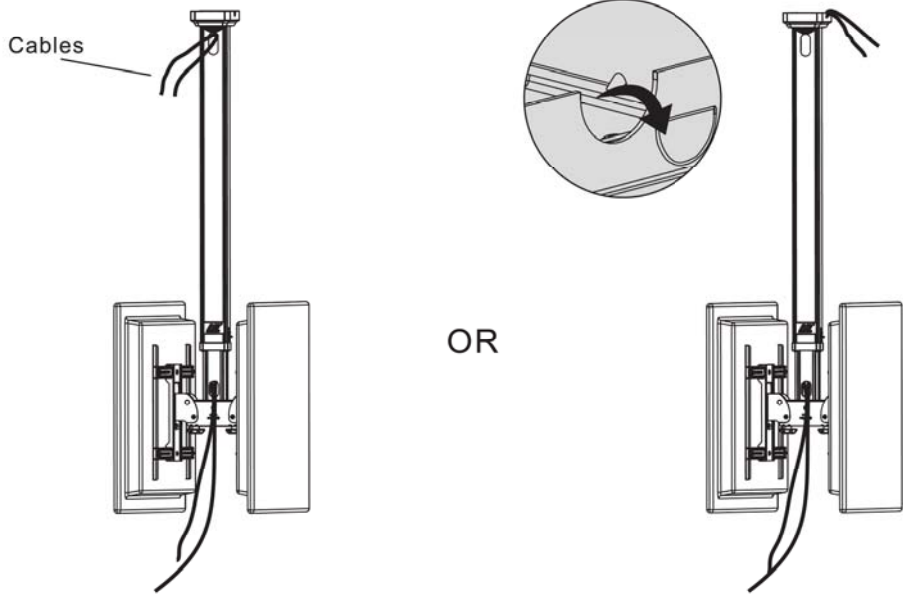


Step5

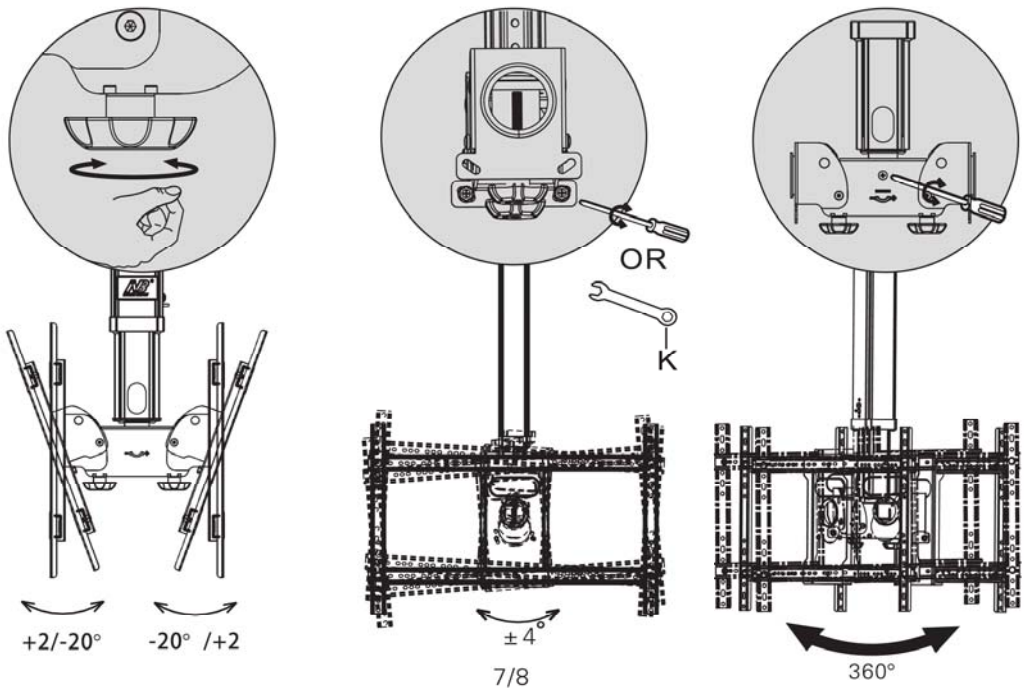


Note: the installation methods of @as@side

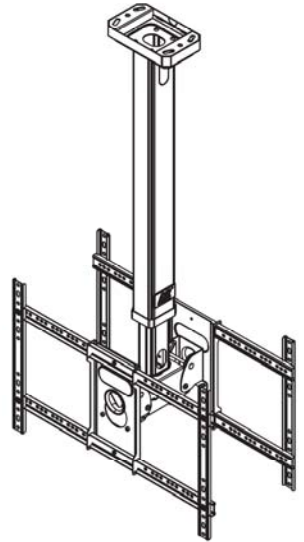
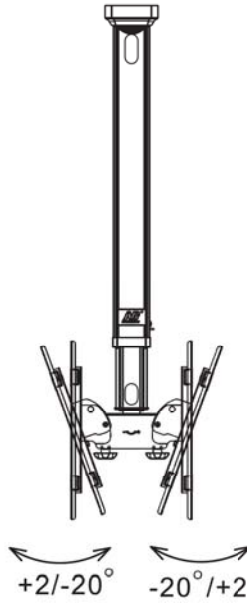
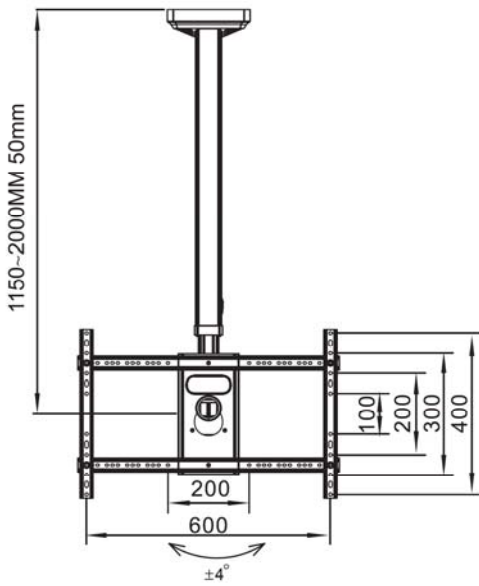
## 5. Cables & wires installing



## 6. Horizontal swivel & tilting adjustment



## T5520 Dimensions



## T6030 Dimensions

